

Application data

Measurable parameters – volt, amp, watt, kilowatt-hour.

Accuracy – class1/B

Physical data

Dimension – Outer width164 x height234 x deep54 mm

Material – Thermoplastic, Fire Proof

Components

- Glass cartridge fuse 2 amps
- Single phases energy meter
- Power supply 220VAC to 12VDC
- Data transmission module
- Ethernet module

Power – Single phases AC110-240V, 50Hz

DC rated current – 12V, 1.25A

Allow ambient condition

- Temperature 60°C
- Humidity less than 75%

Model definition – 30A, 100A, 200A

Electrical protection – Short circuit, over current, over voltage

IP protection – IP50

Antenna range – 5dbi (10m)

Data transmission and Networking

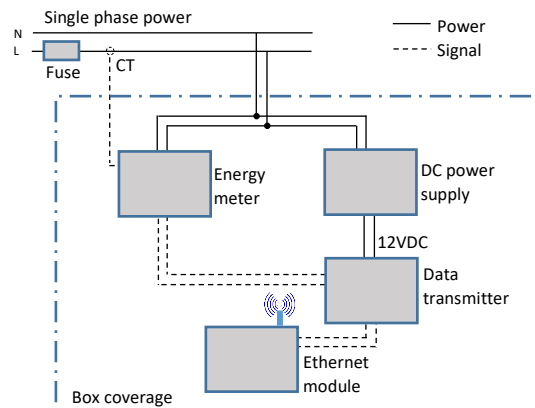
Wireless network require – Dynamic IP

Wifi signal strength require – not less than -70dBm

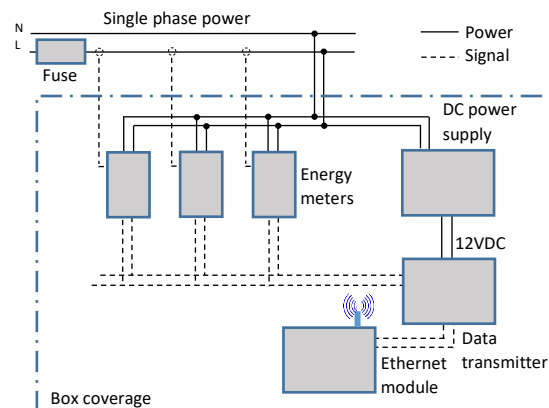
Installation

- Install energy monitoring box on stable wall or structure
- Connect 2 cable sets (1) Power (2) CT
- Turn on power, then set wifi according to installation manual

Installation circuit : single meter unit



Installation circuit : multiple meters (3 meters example)



Approved standard



Product image

