

**Application data**

Measurable parameters – volt, amp, watt, power factor, kilowatt-hour, kvar, kvarh, frequency, active power, reactive power, phase angle, etc.

Accuracy – class1/B

**Physical data**

Dimension – Outer width338 x height248 x deep102 mm  
 Materail – Distribution unit : Thermoplastic, Fire Proof Components

- 3 phases ceramic fuse 2 amps
- 3 phases energy meter
- Power supply 220VAC to 12VDC
- Data transmission module
- Ethernet module

Power – 3 phases AC370-420V, 50Hz

DC rated current – 12V, 1.25A

Allow ambient condition

- Temperature 60°C
- Humidity less than 75%

Model definition – 300A, 600A, 1000A, 1500A, 2000A, 3000A

Electrical protection – Short circuit, over current, over voltage

IP protection – N/A

Antenna range – 3dbi, 5dbi, 9dbi

**Data transmission and Networking**

Wireless network require – Dynamic IP

Wifi signal strength require – not less than -70dBm

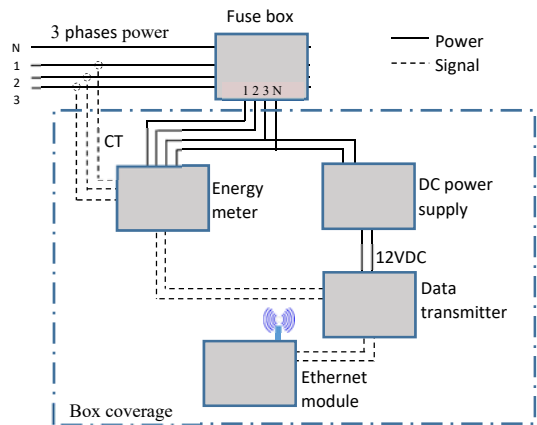
**Equipment Installation**

- Install energy monitoring box on stable wall or structure
- Connect 2 cable sets (1) Power (2) CT
- Turn on power, then config wifi according to installation manual

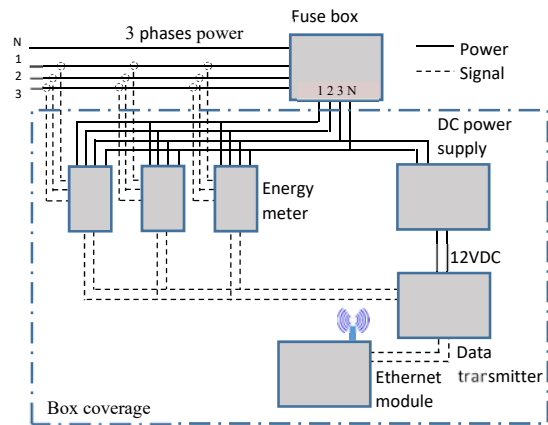
**Approved standard**



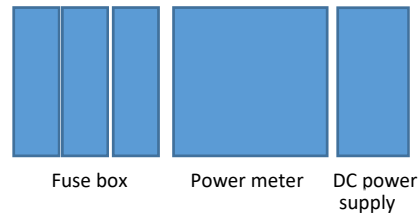
**Installation circuit : single meter unit**



**Installation circuit : multiple meters (3 meters example)**



**Front view equipment layout : single meter unit**



**Actual image of installation unit**



Front view closed door



Front view opened door